

THINK TECH FORWARD

技术 更进一步

YIZUMI

伊之密品牌管理部策划 | 2023年10月版

# SKIII

## 90T-1000T

SKIII精密伺服注塑机

客户价值更进一步

SKIII SERIES GENERAL-PURPOSE  
INJECTION MOLDING MACHINE  
Creating more value to customers

广东伊之密精密注压科技有限公司

Yizumi Precision Molding Technology Co., Ltd.

ADD: 广东省佛山市顺德五沙高新区顺昌路12号

Address: No.12 Shunchang Road, Shunde, Foshan, Guangdong 528300, China

TEL: 86-757-2921 9764 86-757-2921 9001(overseas)

Email: imm@YIZUMI.com

www.yizumi.com

【免责声明 DISCLAIMER】

【1】本公司保留对样本中描述产品进行改进的权利, 规格如有变更, 恕不另行通知。

YIZUMI reserves the right to modify the product description in the catalogue. Specification might be changed without prior notice.

【2】样本中的产品照片仅供参考, 产品以实物为准。

The picture in the catalogue is for reference only. The real object should be considered as final.

【3】样本中数据为伊之密厂内测试检验得出, 仅作为参考信息, 不保证是最新数据, 一切以实际产品为准。

The data in the catalogue is obtained from internal testing in YIZUMI laboratory.

Please refer to the actual machine for the final data. YIZUMI reserves the right of final interpretation upon disputes and ambiguities.



THINK TECH FORWARD

## 客户核心价值主张 CORE VALUE PROPOSITIONS

### 效率更进一步

#### 注射速度提高

动力全新升级,射胶速度提升 15%-25%, 530 吨以下平均射速 100mm/s 以上, 大大提升生产效率及产品质量;

#### 塑化能力提高

全新优化螺杆设计、螺杆转速大大提升, 塑化能力进一步提升 5%-10%;

#### 干周期提高

整机干周期缩短 5% 以上, 提升产品效率;

### 节能更进一步

#### 全新油路设计

采用控制管路以及油阀适配性优化设计, 减少压力损失;

#### 射台结构优化, 阻力降低、节能

射移、射胶均采用高精度线轨, 油封采用低摩擦油封, 降低摩擦阻力;

#### 伺服系统升级、节能

采用新一代伺服系统搭配齿轮泵, 高转速, 能耗低;

### 稳定性更进一步

#### 全新锁模技术提升

锁模机构刚性提升, 锁模力分布平均, 加强中心受力改善, 更可靠耐用;

#### 电控系统

升级为全新KEBA系列控制器, 屏幕更大, 页面切换更流畅;

#### 射台结构及塑化组件

全新线轨式设计, 降低产品不良率;

### 适用性更进一步

更多的规格, 更强的动力和更快的响应速度, 更精细更精准的段数控制; 产品和原料使用范围更广;

### More effective

#### Improved injection speed

With a newly upgraded power system, the injection speed is increased by 15%-25%, while the average injection speed for machines below 530T exceeds 100mm/s, significantly improving production efficiency and product quality.

#### Improved plasticizing effect

The all-new optimized screw design greatly increases the screw speed, improving the plasticizing capacity by 5%-10%.

#### Shorter cycle time

The cycle time of the machine is reduced by more than 5%, to enhance efficiency.

### More energy-saving

#### New hydraulic circuit design

Optimized adaptability design of control lines and oil valves to minimize pressure loss.

#### Optimized structure of the injection unit for lower resistance and higher energy efficiency

High-precision linear guide rails for carriage and injection. Employ low-friction oil seal to reduce friction resistance.

#### Upgraded servo system for higher energy efficiency

Adopt a new generation servo system with gear pump for higher rotation speed and lower energy consumption.

### More stable

#### New clamping technology enhancement

Enhance the rigidity of clamping mechanism to evenly apply clamping force. Strengthen the center force to improve reliability and durability.

#### Electrical system

Upgraded to the new KEBA series controller with larger screens and smoother page switching.

#### Injection unit structure and plasticizing components

New linear guide design reduces product defects.

### Further improved applicability

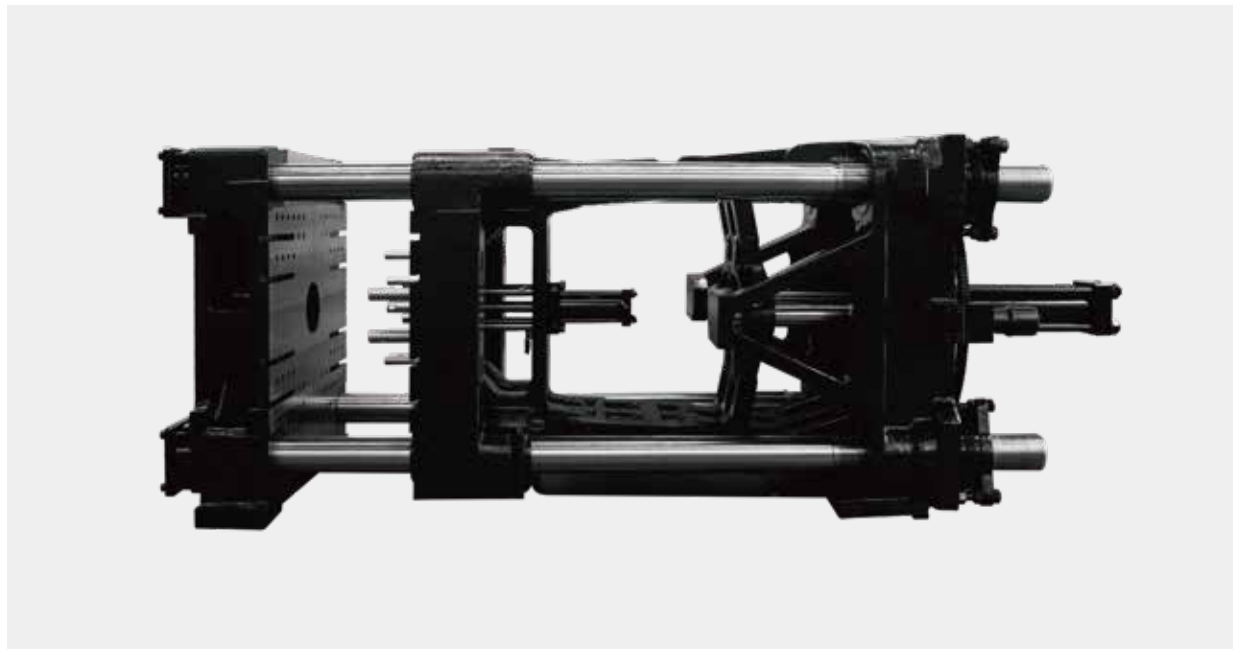
Offer more specifications, more power, faster response, and more precise stage control. Wider range of product and raw material applications.



※页面所有数据均来源于伊之密工厂, 请以实际定制设备情况为准

※The Data above were acquired by testing in the factory, only for your reference. The specific data please accord to the actual equipment.

## 锁模单元 CLAMPING UNIT



锁模机构全面优化, 中心强支撑二板结构、高刚性锁模头板、锁模二板结构设计提升锁模机构整体刚性; 全系配置T型槽+码模孔组合式模板, 既满足方便装拆模具, 又提高模板的整体刚性。

Comprehensive optimization of the clamping unit that enhances overall rigidity of the clamping unit by adopting movable platen with strong central support, high-rigidity fixed platen and movable platen.

The SKIII series is equipped with modular platen design (T-slot + mounting holes) to facilitate the mold loading/unloading while enhancing the overall rigidity of the platen.

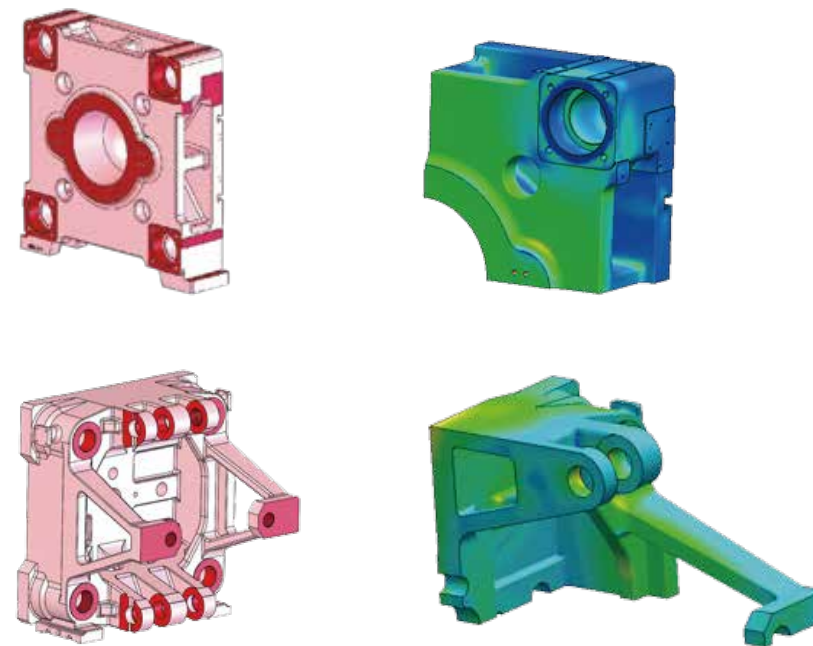


### 中心强支撑二板结构 Strong central support to the movable platen structure

- ▶ 二板中心强支撑结构设计, 模板变形更小, 实现锁模力平均分布;
- ▶ 使用较低锁模力也能减少模腔尺寸变形, 提高制品成型精度, 节能。
- ▶ Movable platen with strong central support minimizes platen deformation while achieving even distribution of clamping force;
- ▶ Use lower clamping force to reduce deformation of mold cavity, improve product molding accuracy, and save energy.

※页面所有数据均来源于伊之密工厂, 请以实际定制设备情况为准

※The Data above were acquired by testing in the factory, only for your reference.  
The specific data please accord to the actual equipment.

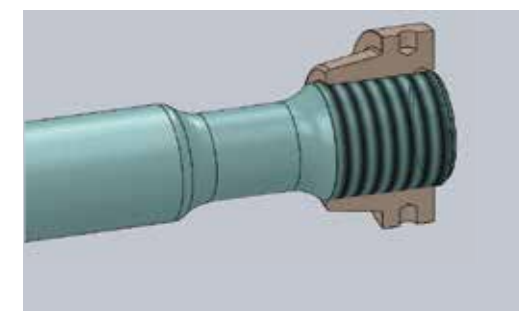


### 高刚性锁模头板、锁模尾板结构 Highly rigid fixed platen and tail platen structure

- ▶ 锁模头板、锁模尾板结构优化, 刚性提升, 形变更小。
- ▶ Optimization of fixed platen and tail platen structure to enhance rigidity and reduce mold deformation.

### 导柱及导柱螺母结构 Tie bar and tie bar nut structure

- ▶ 独特的导柱卸荷槽设计、导柱及导柱螺母螺纹中径设计, 大幅降低应力集中, 实现导柱及导柱螺母零失效, 可靠性更进一步。
- ▶ The unique tie bar unloading groove design and the pitch diameter design for tie bar and tie bar nut threads greatly reduce stress concentration, cause no damage to tie bar and tie bar nut, and improve the reliability.



## 注射单元 INJECTION UNIT



### 塑化组件 Plasticizing components

- ▶ 新一代低剪切高混炼塑化组件：提升塑化效率及质量，提升注射重量重复精度；
- ▶ 原料适用性更广，提升混色效果。
- ▶ New generation of low-shear high-mixing plasticizing components: Improve plasticizing efficiency and quality, and improve injection weight repeatability;
- ▶ Wider applicability of raw materials and improved color-mixing effect.



### 移动射嘴防护罩 Mobile nozzle guard

- ▶ 采用伊之密专利的专用射嘴护罩：射嘴护罩随料筒一同运动，方便操作与观察。
- ▶ YIZUMI patented special nozzle guard: The nozzle guard moves together with the barrel, convenient for operation and observation.

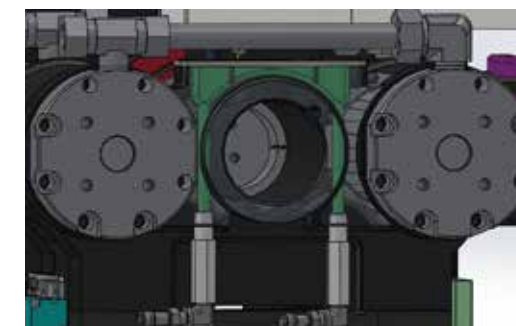


### 全新射台结构升级 Upgraded injection unit

- ▶ 射胶线轨结构：降低移动摩擦阻力，提高注射精度，提升塑化效率；
- ▶ 射移线轨双射油缸结构：降低移动摩擦阻力，维护操作方便；
- ▶ 射台所有线轨采用自润滑和储油盒设计，可实现 10 年生产免加润滑油，并减少润滑油蒸发对车间及环境的污染。
- ▶ Injection linear guide structure: Reduce motion friction, increase injection accuracy, and enhance plasticizing efficiency;
- ▶ Linear carriage guide with dual-cylinder: Reduced motion friction resistance for easy operation and maintenance;
- ▶ All linear guides for injection units adopt self-lubrication and oil chamber design to achieve 10 years of production without lubrication maintenance, reducing the pollution to the workshop and the environment caused by the evaporation of lubricant.

### 全新冷却升级 Newly upgraded cooling system

- ▶ 内藏式冷却水道：冷却面积加大、冷却效果提升 100% 以上，降低原料架桥风险，料管组更换更方便；
- ▶ Built-in cooling water circuits: Increase cooling area, improve cooling effect by more than 100%, reduce the risk of bridging raw materials, and make it easier to replace the barrel assembly;



### 优化注射单元 Optimized injection unit

- ▶ 整体式射移支架 采用整体射移支架，支撑点前移，射胶头板固定，提升注射部分的稳定性；
- ▶ 射台更换更便捷，加快设备交货期。
- ▶ Integral carriage support: Adopt integral carriage support to move forward the support points. Fixed injection plate to improve the stability of injection section;
- ▶ Easier injection unit change to shorten production lead time.

### 带轴承料斗滑轨 Hopper slide with bearings

- ▶ 新一代带密封带轴承滑轨：拖动更顺滑，更省力，减少漏料。
- ▶ New generation of sealed sliding rail with bearings: Allow smoother sliding with less effort. Reduce material leakage.



※页面所有数据均来源于伊之密工厂，请以实际定制设备情况为准

※The Data above were acquired by testing in the factory, only for your reference.  
The specific data please accord to the actual equipment.



## 液压系统 HYDRAULIC SYSTEM



### 伊之密第四代伺服节能技术

YIZUMI's fourth-generation energy-saving servo technology

全新伺服动力系统，采用一体式风道技术，高转速、低噪音

The all-new servo drive system adopts one-piece air duct technology, offering high speed and low noise.

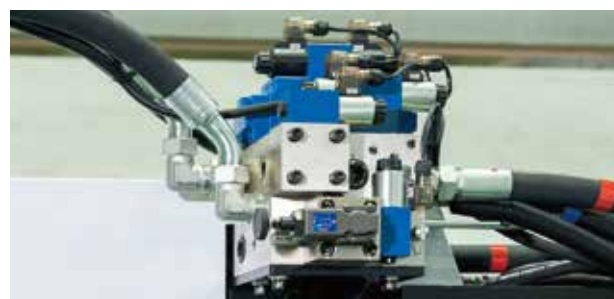


### 响应更进一步 Faster response

- ▶ 射胶熔胶速度响应150ms以内，工艺范围更广。
- ▶ Injection/Plasticizing response speed within 150ms for wider range of process applications.

### 动力更进一步 Stronger power

- ▶ 射胶熔胶高响应速度，工艺范围更广。
- ▶ High response speed for injection/plasticizing for wider range of process applications.



### 全新液压油路设计 All-new hydraulic circuit design

- ▶ 优化油路流道设计、减少压力损失、更加节能：优化液压原理及阀板管路流道设计、减少油路压力损失、更加节能。
- ▶ Optimized oil circuit design for lower pressure loss and more energy-saving: Use optimized hydraulic principle and valve plate pipeline design to reduce oil pressure loss and improve energy-saving.

### 低摩擦油封 Low friction oil seal

- ▶ 降低摩擦热，减少能量损失。
- ▶ Reduce frictional heat and energy loss.

## 电控系统 ELECTRICAL SYSTEM

### 控制系统价值更进一步

Control system with higher value

- ▶ 升级 KEBA 系统；
- ▶ 可以扩展 AO、AI、DO、DI、TM 等多种多个模块，满足更多需求；
- ▶ 实时监测机器配置传感器等信号，匹配相关动作，安全性更高；
- ▶ 支持常用通讯接口 RS232/485，CANOPEN，以太网接口，温度补偿传感器接口，USB 接口。
- ▶ Upgraded KEBA system;
- ▶ Expandable with multiple modules including AO, AI, DO, DI, and TM to meet more requirements;
- ▶ Real-time monitoring of signals from machine equipped sensors to coordinate corresponding movements for higher operating safety;
- ▶ Support common RS232/485 communication interface, CANOPEN, Ethernet port, temperature compensation sensor connector, and USB port.

### 速度15段线性控制 15-stage linear control on speed

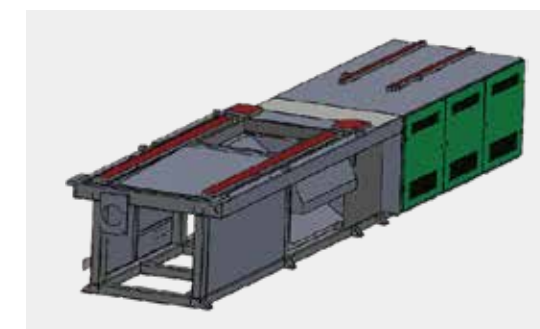
- ▶ 控制更精准 1% 流量有准确响应，参数调节操作更友好。
- ▶ Offer more precise control. Accurate response to 1% flow. More user-friendly parameter adjustment.



## 其他 GENERAL UNIT

### 整体式高刚性机架 Integral high rigidity frame

- ▶ 采用榫卯结构焊接机架，提高机器整体刚性；
- ▶ 高速运行更稳定，可配重型模具；
- ▶ Welded machine frame with mortise and tenon construction to improve the overall rigidity;
- ▶ More stable high speed operation, suitable for heavy duty molds;



※页面所有数据均来源于伊之密工厂，请以实际定制设备情况为准

※The Data above were acquired by testing in the factory, only for your reference. The specific data please accord to the actual equipment.

## UN90~320SKIII 技术参数表 SPECIFICATIONS

说明 Description	单位 Unit	UN90SKIII			UN120SKIII			UN160SKIII			UN200SKIII			UN260SKIII			UN320SKIII		
国际标准规格 International size		IU295			IU420			IU604			IU895			IU1000			IU1800		
<b>射胶机构 Injection Unit</b>																			
理论注射容积 Theoretical shot volume	cm <sup>3</sup>	116.6	158.7	207.3	163.6	246.9	307.6	297.7	370.9	452.3	425.2	518.4	664.4	479.5	584.6	749.2	834.1	978.9	1135.3
实际注射量 Shot weight (PS)	g(克)	107.3	146.0	190.8	150.5	227.1	283.0	273.9	341.3	416.1	391.2	477.0	611.3	441.2	537.9	689.3	767.3	900.6	1044.4
	oz(盎司)	3.8	5.2	6.7	5.3	8.0	10.0	9.7	12.1	14.7	13.8	16.9	21.6	15.6	19.0	24.4	27.1	31.8	36.9
螺杆直径 Screw diameter	mm	30	35	40	35	43	48	43	48	53	48	53	60	48	53	60	60	65	70
注射压力 Injection pressure	MPa	252.8	185.7	142.2	257.1	170.4	136.7	203.0	162.9	133.6	210.8	172.9	134.9	210.8	172.9	134.9	217.0	184.9	159.5
注射速率 Injection rate	g/s	69.6	94.8	123.8	89.8	135.5	168.8	135.6	169.0	206.0	168.5	205.4	263.2	168.5	205.4	263.2	237.5	278.7	323.2
螺杆长度直径比 Screw L:D ratio		24:1	20:1	20:1	24:1	20:1	20:1	22.3:1	20:1	20:1	22:1	20:1	20:1	22:1	20:1	20:1	22.6:1	20.9:1	19.4:1
塑化效率 Plasticizing effect	g/s	10.6	15.2	20.4	16.8	25.2	30.8	27.3	33.8	41.1	28.2	36.8	49.8	24.2	31.5	42.6	43.5	55.2	67.2
最大注射速度 Max. injection speed	mm/s	107.1			101.4			101.5			101.2			101.2			91.3		
螺杆行程 Screw stroke	mm	165			170			205			235			265			295		
螺杆转速 Screw speed	r/min	0-206			0-233			0-260			0-222			0-190			0-195		
<b>锁模机构 Clamping Unit</b>																			
锁模力 Clamping force	kN	900			1200			1600			2000			2600			3200		
开模行程 Opening stroke	mm	320			360			410			460			530			580		
导柱内间距 Space between tie bars (W×H)	mm×mm	365×365			415×375			460×440			510×510			570×570			670×670		
模板最大距离 Max. daylight	mm	670			760			870			980			1100			1240		
容模量(最薄-最厚) Mold thickness (min.-max.)	mm	130-350			145-400			160-460			180-520			205-570			220-660		
顶出行程 Ejector stroke	mm	100			120			140			150			160			170		
顶出孔数量 Number of ejector pin holes		5			5			5			5			13			13		
顶出力 Ejector force	kN	28			42			42			49			77			77		
<b>动力/电热 Power Unit</b>																			
最大系统压力 Max. system pressure	MPa	17.5			17.5			17.5			17.5			17.5			17.5		
电机最大功率 Max. motor power	kW	13.2			21.4			25.2			29.3			29.3			35.2		
电热功率 Heating capacity	kW	6.9/7.8			9/10.1			10.9/12.1			13.06/15.36			13.06/15.36			22.9		
温度控制区数 Number of temp control zones		4			4			4			5			5			5		
<b>其它 Other</b>																			
干循环时间 Dry cycle time	s	1.9			1.9			2.1			2.7			2.8			3.4		
油箱容量 Oil tank capacity	L	120			146			167			230			230			326		
外形尺寸 Machine dimensions (L×W×H)	m×m×m	4.34×1.07×1.79			4.4×1.19×1.89			4.99×1.20×1.92			5.47×1.27×2.02			5.87×1.53×2.1			6.63×1.66×2.21		
机器重量 Machine weight	kg	2800			3200			4100			5000			6700			8800		

1. 理论注射容积 = 注塑料筒截面积 × 注射行程。
2. 实际注射量 = 理论注射容积 × 0.92(以 GPPS 计算)。
3. 正常情况下改善规格参数,恕不另行通知。
4. 当您有成型 PVC,PC,PMMA 等工程塑料产品或有其他特殊要求时,敬请告知本公司。
5. 机型外形以中料筒为准,大料筒或特殊机型,按本公司实际尺寸为准。

1. Theoretical shot volume = barrel sectional area × injection stroke;
2. Shot weight = theoretical shot volume × 0.92 (GPPS);
3. Due to improvement, specifications may be changed without prior notice.
4. Please inform us if you need to produce parts made from engineering plastics like PVC, PC, and PMMA or if you have other special requirements;
5. The specification of machine size is based on mid-size barrel. If you need large-size barrel or a special machine model, please refer to YIZUMI actual size.

## UN380~1000SKIII 技术参数表 SPECIFICATIONS

说明 Description	单位 Unit	UN380SKIII			UN450SKIII			UN530SKIII				UN630SKIII				UN750SKIII				UN1000SKIII			
国际标准规格 International size		IU2260			IU3200			IU4200				IU4500				IU6780				IU9015			
<b>射胶机构 Injection Unit</b>																							
理论注射容积 Theoretical shot volume	cm <sup>3</sup>	1095.0	1270.0	1658.7	1423.9	1859.8	2459.5	2211.6	2438.3	2924.9	3455.7	2211.6	2438.3	2924.9	3455.7	3190.8	3769.8	4397.1	5072.6	4319.6	5038.3	5812.4	6749.3
实际注射量 Shot weight (PS)	g(克)	1007.4	1168.4	1526.0	1310.0	1711.0	2262.8	2034.7	2243.2	2690.9	3179.2	2034.7	2243.2	2690.9	3179.2	2935.5	3468.2	4045.3	4666.8	3974.0	4635.3	5347.4	6209.4
	oz(盎司)	35.6	41.3	53.9	46.3	60.5	80.0	71.9	79.3	95.1	112.3	71.9	79.3	95.1	112.3	103.7	122.6	142.9	164.9	140.4	163.8	189.0	219.4
螺杆直径 Screw diameter	mm	65	70	80	70	80	92	80	84	92	100	80	84	92	100	92	100	108	116	100	108	116	125
注射压力 Injection pressure	MPa	207.1	178.6	136.7	225.9	172.9	130.8	190.3	172.6	143.9	121.8	201.7	182.9	152.5	129.1	212.9	180.2	154.5	133.9	208.9	179.1	155.2	133.7
注射速率 Injection rate	g/s	308.3	357.6	467.1	356.5	465.7	615.8	470.3	518.5	622.0	734.8	443.9	489.4	587.1	693.6	555.9	656.8	766.1	883.8	659.0	768.6	886.7	1029.6
螺杆长度直径比 Screw L:D ratio		21.5:1	20:1	20:1	22.8:1	20:1	20:1	23.2:1	22:1	21.7:1	20:1	23.2:1	22:1	21.7:1	20:1	21.7:1	22:1	21.5:1	20:1	21.7:1	22:1	21.5:1	20:1
塑化效率 Plasticizing effect	g/s	48.2	59.8	84.1	55.2	73.8	82.9	66.2	72.5	82.5	86	66.2	72.5	91.5	88.2	90.2	105.3	124.3	143.2	90.2	106.7	132.2	143.5
最大注射速度 Max. injection speed	mm/s	101			100.7			101.7				96.0				90.9				91.2			
螺杆行程 Screw stroke	mm	330			370			440				440				480				550			
螺杆转速 Screw speed	r/min	0-176			0-163			0-147		0-128		0-147		0-128		0-143		0-120		0-118		0-106	
<b>锁模机构 Clamping Unit</b>																							
锁模力 Clamping force	kN	3800			4500			5300				6300				7500				10000			
开模行程 Opening stroke	mm	660			740			825				900				980				1120			
导柱内间距 Space between tie bars (W×H)	mm×mm	710×710			780×780			830×800				880×880				980×960				1090×1090			
模板最大距离 Max. daylight	mm	1370			1520			1675				1800				1960				2220			
容模量(最薄-最厚) Mold thickness (min.-max.)	mm	250-710			310-780			350-850				400-900				400-980				500-1100			
顶出行程 Ejector stroke	mm	210			220			220				280				280				320			
顶出孔数量 Number of ejector pin holes		13			13			17				21				21				21			
顶出力 Ejector force	kN	110			110			166				182				182				215			
<b>动力/电热 Power Unit</b>																							
最大系统压力 Max. system pressure	MPa	17.5			17.5			17.5				17.5				17.5				17.5			
电机最大功率 Max. motor power	kW	55.5			66			66				66				76.4				98.4			
电热功率 Heating capacity	kW	25.1/27.44			31.33/39.22			33.69/36.69/41.94				33.69/36.69/41.94				42/51				46.5/63.6			
温度控制区数 Number of temp control zones		5			6			6				7				7				6			
<b>其它 Other</b>																							
干循环时间 Dry cycle time	s	3.6			3.9			5.2				5				5.4				7.8			
油箱容量 Oil tank capacity	L	410			510			570				570				720				720			
外形尺寸 Machine dimensions (L×W×H)	m×m×m	7.5×1.9×2.1			8.33×1.99×2.2			8.87×2.06×2.16				9.1×2.14×2.11				10.3×2.5×2.3				11.37×2.60×2.66			
机器重量 Machine weight	kg	12100			15000			17100				28000				40000				50000			

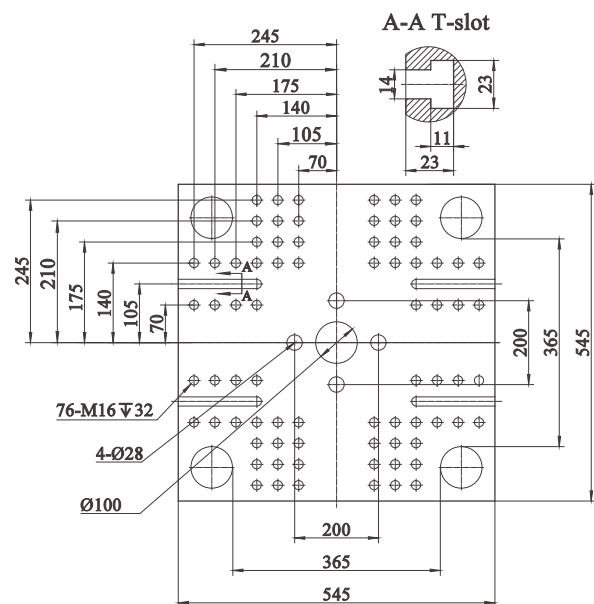
1. 理论注射容积 = 注塑机料筒截面积 × 注射行程。
2. 实际注射量 = 理论注射容积 × 0.92(以 GPPS 计算)。
3. 正常情况下改善规格参数,恕不另行通知。
4. 当您有成型 PVC,PC,PMMA 等工程塑料产品或有其他特殊要求时,敬请告知本公司。
5. 机型外形以中料筒为准,大料筒或特殊机型,按本公司实际尺寸为准。

1. Theoretical shot volume = barrel sectional area × injection stroke;
2. Shot weight = theoretical shot volume × 0.92 (GPPS);
3. Due to improvement, specifications may be changed without prior notice.
4. Please inform us if you need to produce parts made from engineering plastics like PVC, PC, and PMMA or if you have other special requirements;
5. The specification of machine size is based on mid-size barrel. If you need large-size barrel or a special machine model, please refer to YIZUMI actual size.

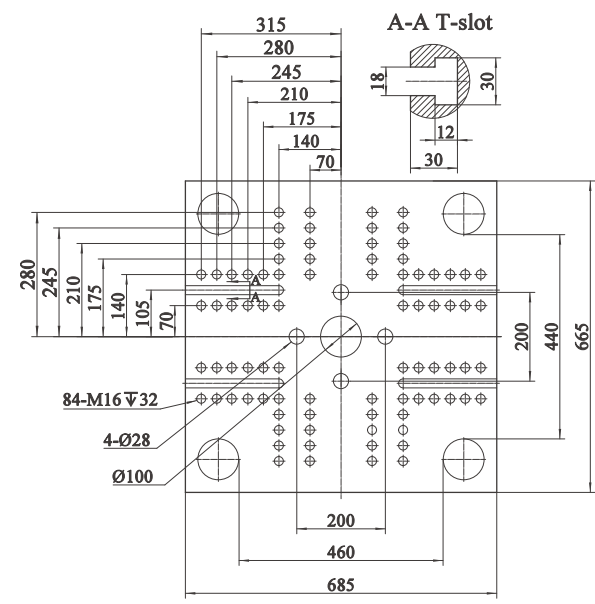


# 模板尺寸图

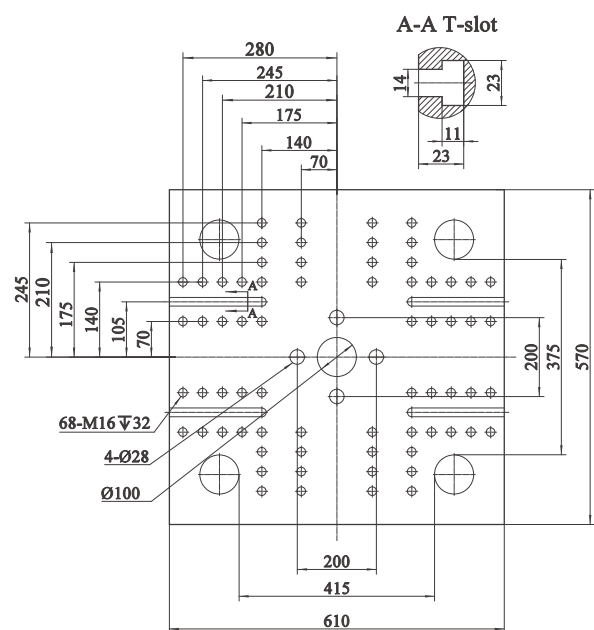
## Platen Dimensions



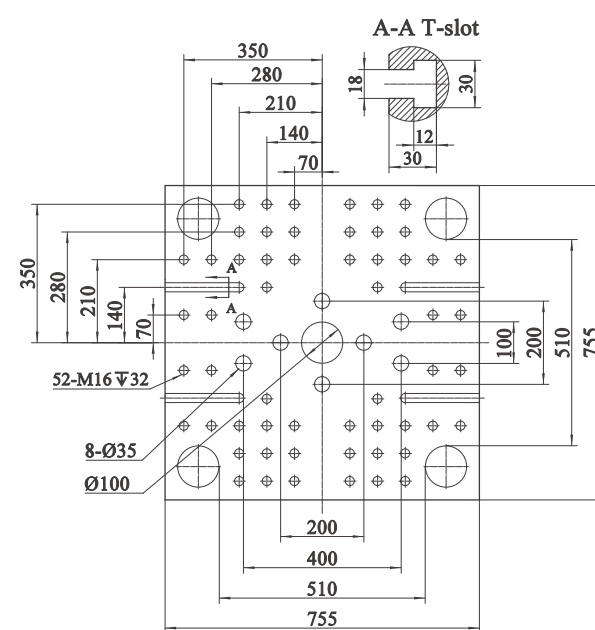
UN90SKIII



UN160SKIII



UN120SKIII



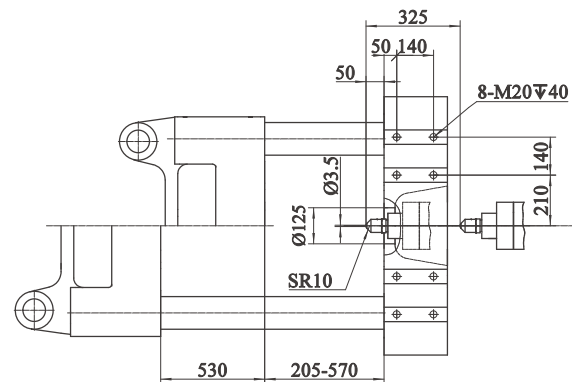
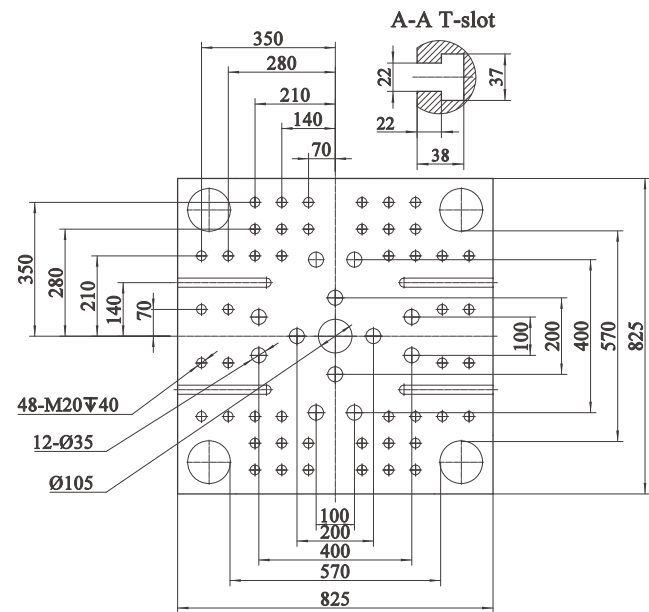
UN200SKIII

※页面所有数据均来源于伊之密工厂, 请以实际定制设备情况为准

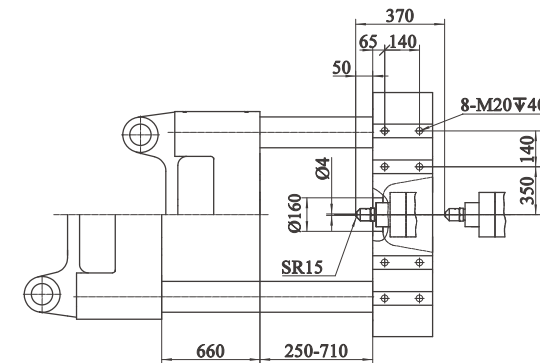
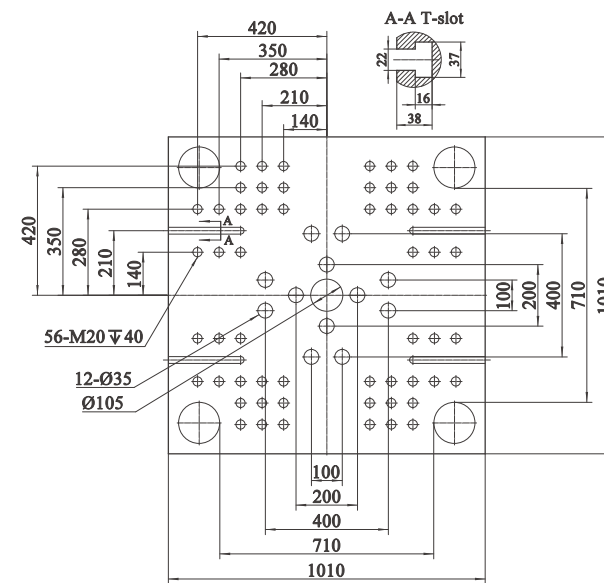
※The Data above were acquired by testing in the factory, only for your reference. The specific data please accord to the actual equipment.

# 模板尺寸图

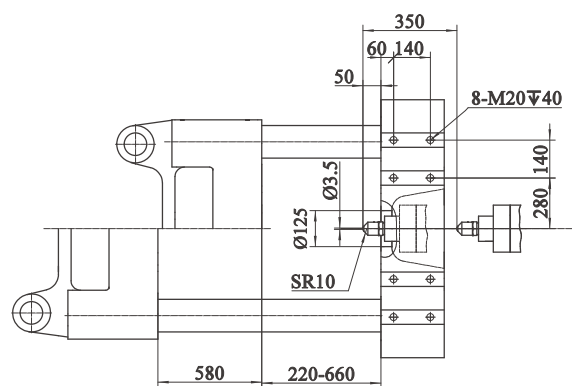
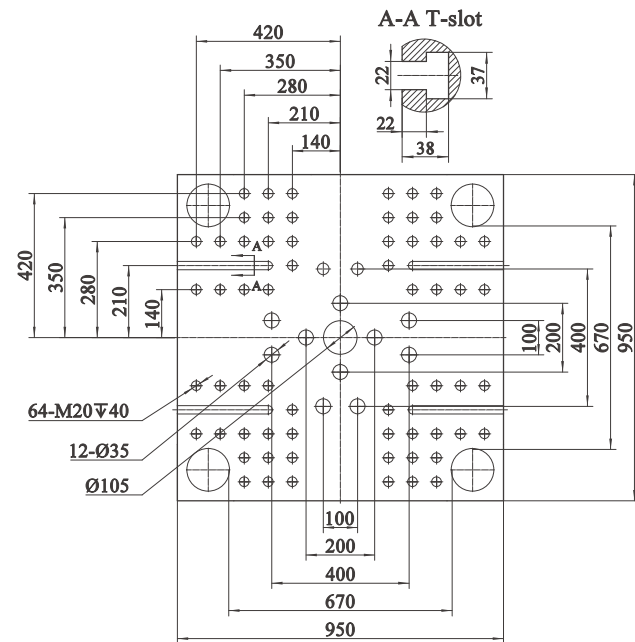
## Platen Dimensions



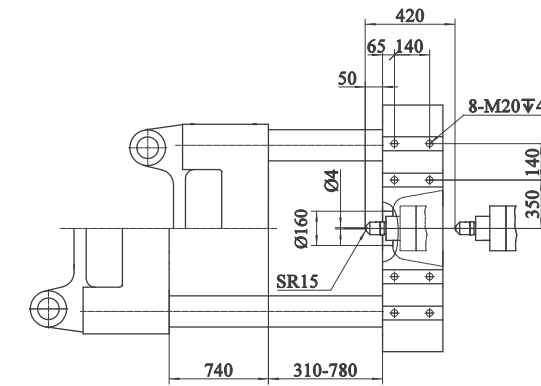
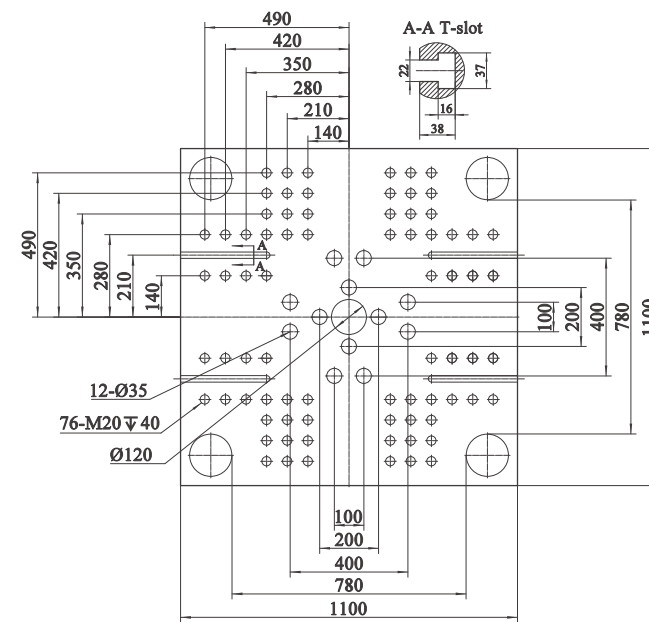
UN260SKIII



UN380SKIII



UN320SKIII

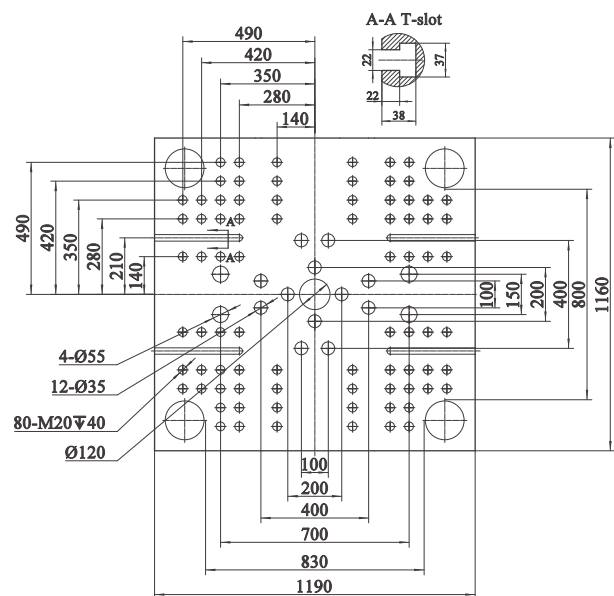


UN450SKIII

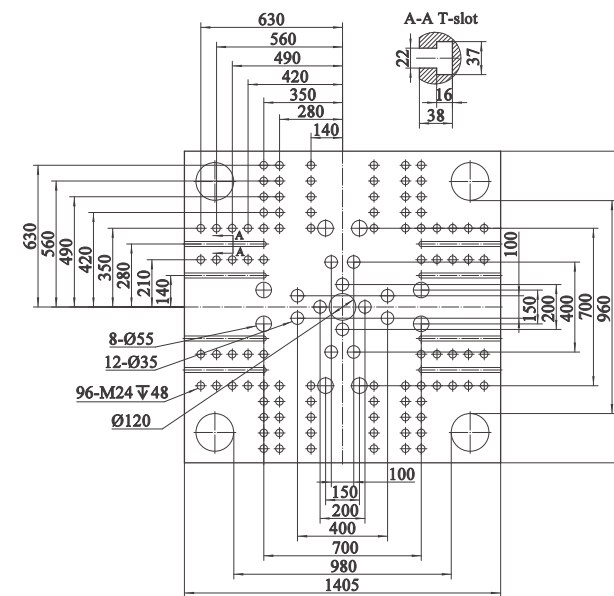
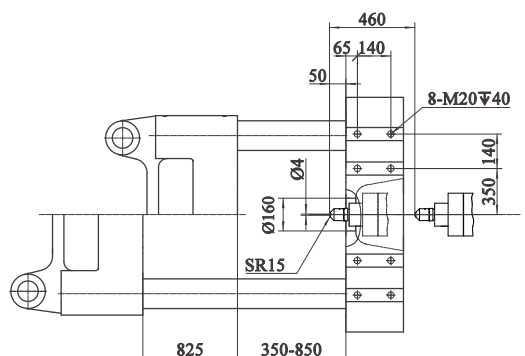
※页面所有数据均来源于伊之密工厂, 请以实际定制设备情况为准  
 ※The Data above were acquired by testing in the factory, only for your reference.  
 The specific data please accord to the actual equipment.

# 模板尺寸图

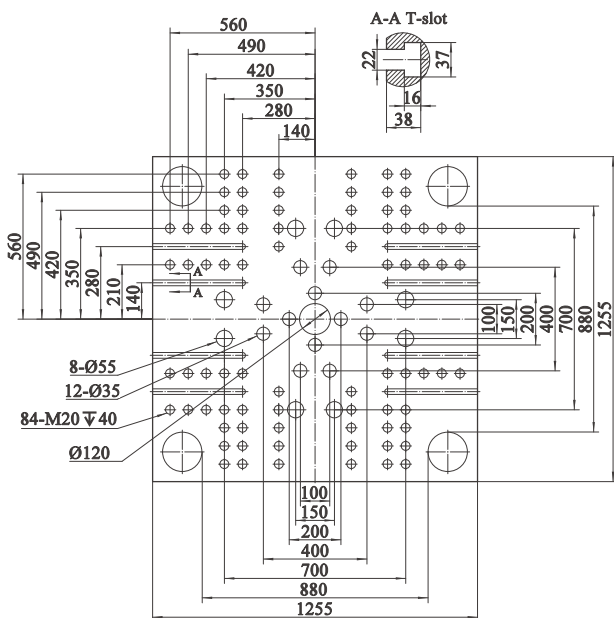
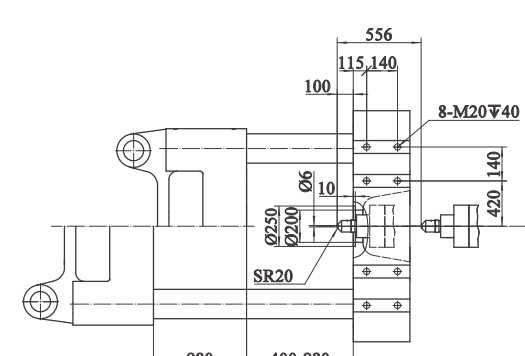
## Platen Dimensions



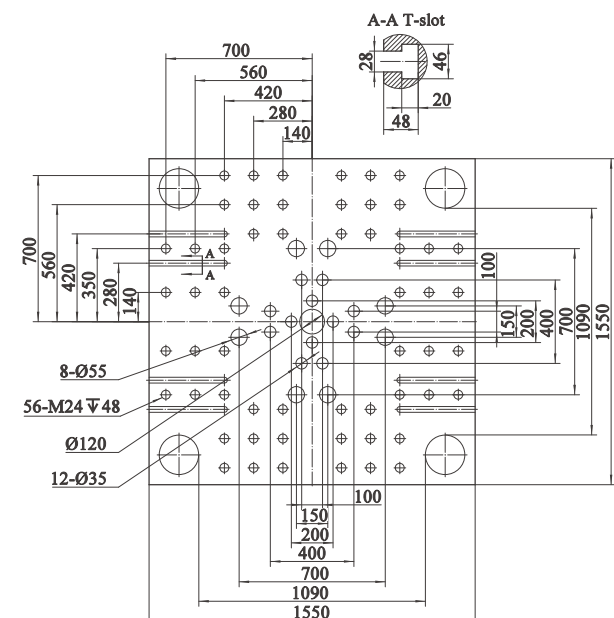
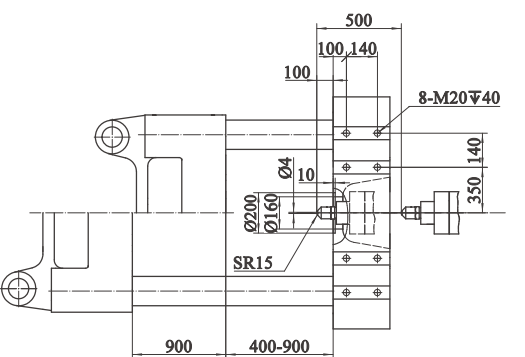
UN530SKIII



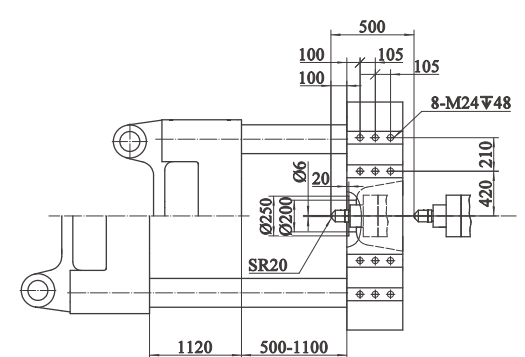
UN750SKIII



UN630SKIII



UN1000SKIII

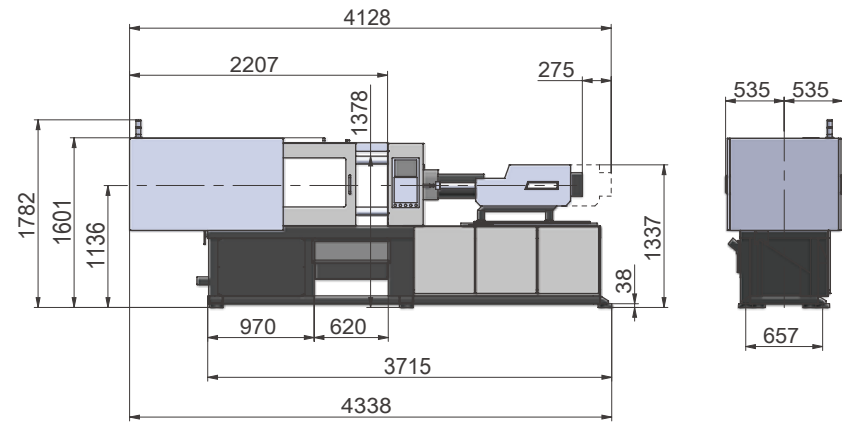


※页面所有数据均来源于伊之密工厂, 请以实际定制设备情况为准  
 ※The Data above were acquired by testing in the factory, only for your reference.  
 The specific data please accord to the actual equipment.

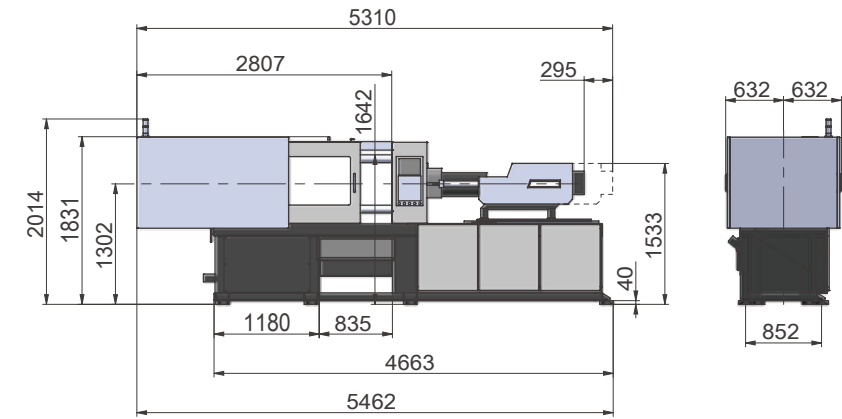
# 外形尺寸图

## Machine Dimensions

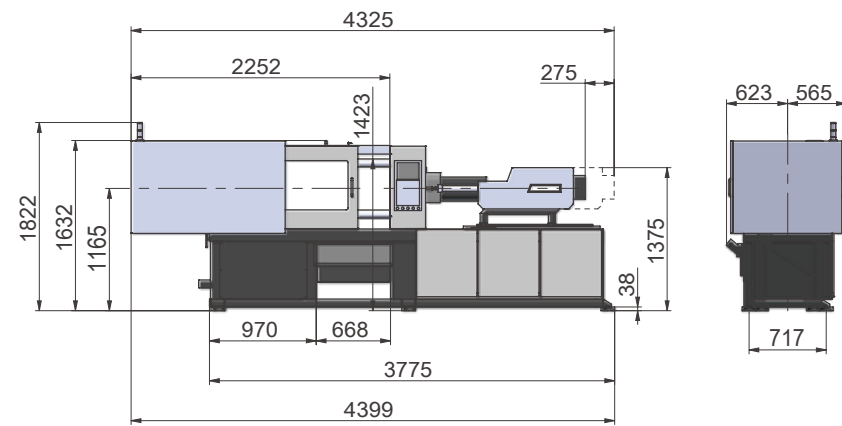
UN90SKIII



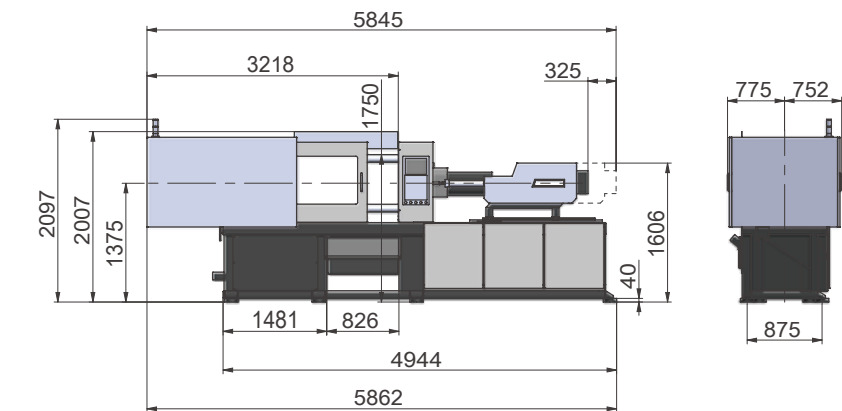
UN200SKIII



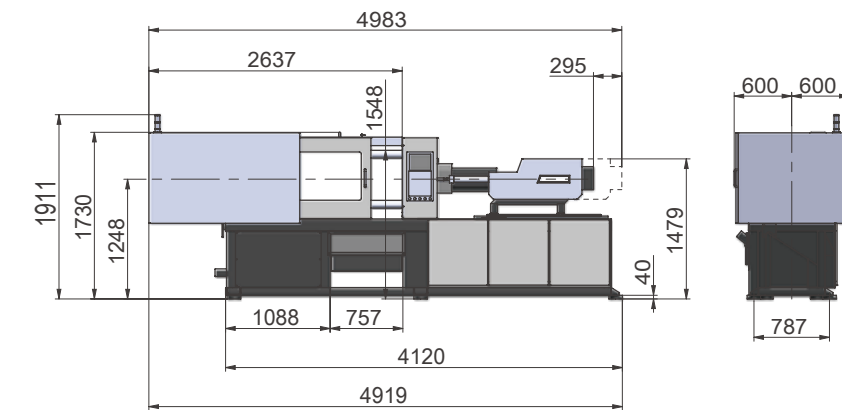
UN120SKIII



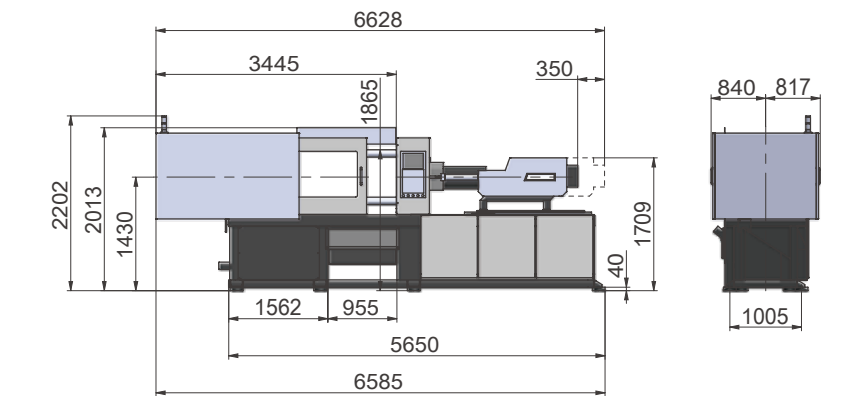
UN260SKIII



UN160SKIII



UN320SKIII



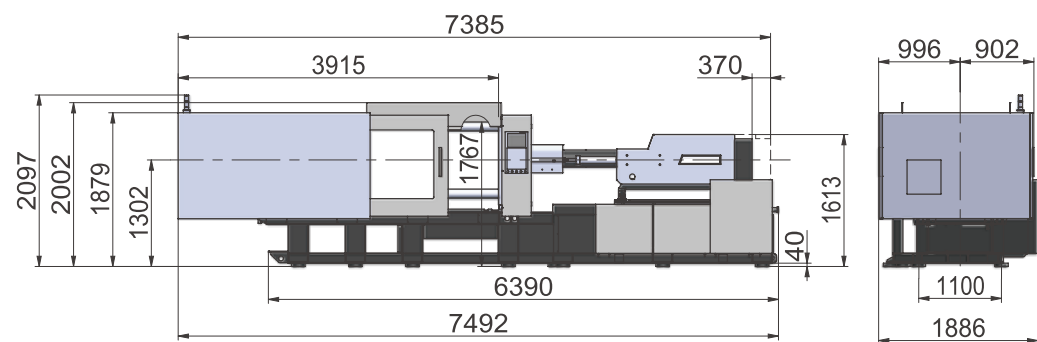
※页面所有数据均来源于伊之密工厂, 请以实际定制设备情况为准

※The Data above were acquired by testing in the factory, only for your reference.  
The specific data please accord to the actual equipment.

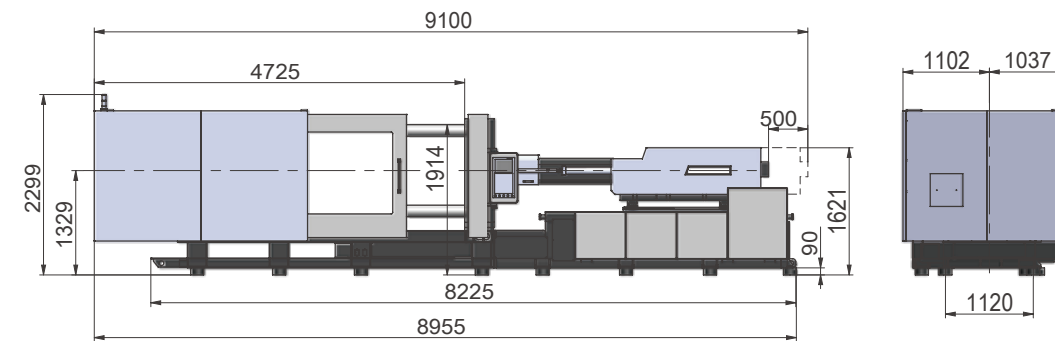
# 外形尺寸图

## Machine Dimensions

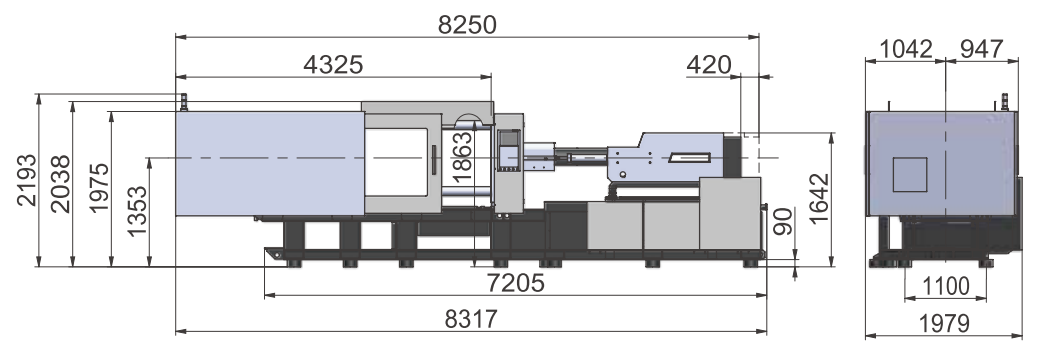
UN380SKIII



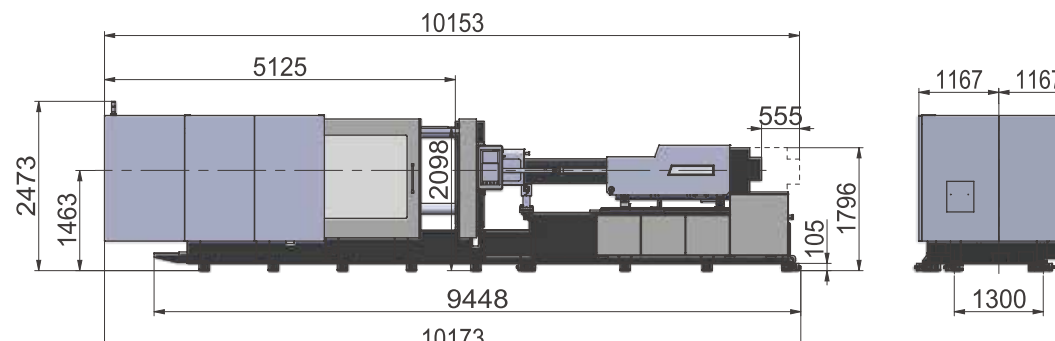
UN630SKIII



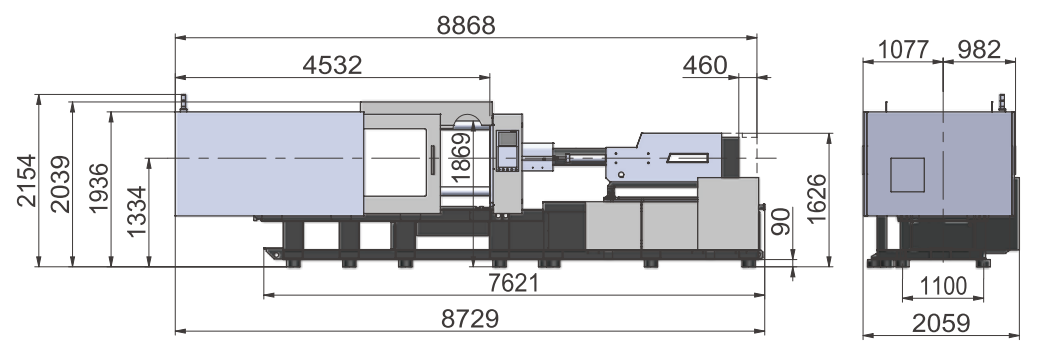
UN450SKIII



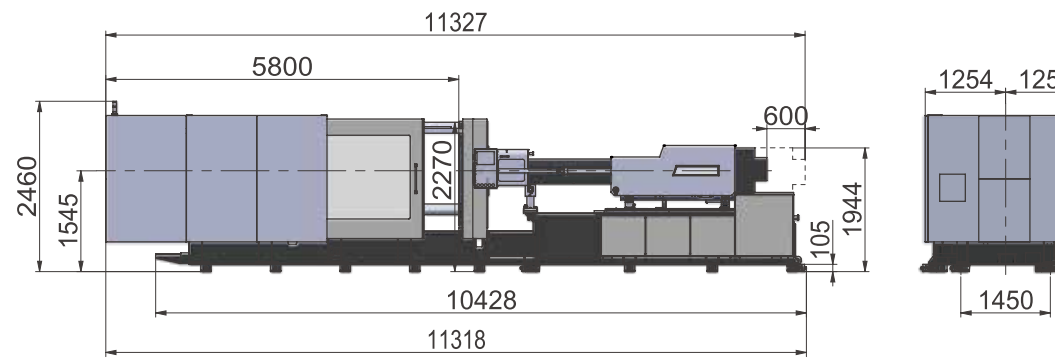
UN750SKIII



UN530SKIII



UN1000SKIII



※页面所有数据均来源于伊之密工厂, 请以实际定制设备情况为准  
 ※The Data above were acquired by testing in the factory, only for your reference.  
 The specific data please accord to the actual equipment.



# UN90-530SKIII 标配选配表

	标准配置	备选配置
<b>射胶/熔胶部分</b>		
整体式射台支架配线性导轨	●	
双缸平衡注射系统	●	
低速大扭矩液压马达	●	
氮化合金钢螺杆料筒	●	
料管节能环保结构(专利设计)	●	
料管多段PID温度控制(4-7段)	●	
双射移油缸	●	
射胶、熔胶故障自动检测	●	
精密电子尺控制熔胶行程/射胶行程	●	
螺杆防冷启动功能	●	
自动清料功能	●	
熔胶前、后松退可选	●	
注射速度、压力、位置6段设定	●	
保压速度、压力、时间5段设定	●	
储料速度、压力、位置3段设定	●	
滚动料斗装置(60T-320T)	●	
加长射嘴		○
专用料管组(电镀、合金、PC、PMMA、PBT等)		○
料筒风冷装置		○
弹簧自锁射嘴/液压射嘴		○
加大注射行程或加大(减少)一级射胶结构		○
旋转射台		○
陶瓷发热圈(630T以上标配)		○
料筒保温节能装置(硅胶保温、红外线加热)		○
不锈钢料斗		○
<b>锁模部分</b>		
精密电子尺控制锁模/顶针行程	●	
锁模三大板/机铰采用QT500-7A高刚性球墨铸铁	●	
电脑控制两段顶出前进/后退动作	●	
欧规机械手机械定位接口	●	
液压驱动齿轮调模装置	●	
液压/电气双重保护装置	●	
移动模板耐磨锰钢带轨道	●	
自动集中润滑系统	●	
多种顶针控制功能可选	●	
低压模具保护功能	●	
T型槽、码模孔复合模板	●	
加装特殊模具安装孔		○
加装模具隔热板		○
加大顶出力、加大顶出行程		○
加大容模量		○
磁力模板		○
吊模架		○
<b>液压系统</b>		
第四代伺服系统	●	
高精密实时旁路滤油器装置	●	
低噪音节能型液压回路	●	
高性能液压控制阀	●	
外置式冷却器	●	

	标准配置	备选配置
系统压力流量自动校正	●	
熔胶背压调节装置	●	
外露高压油管配防爆链	●	
多组运水装置并配快速插头	●	
低摩擦密封元件	●	
变量泵系统		○
加大一级油泵电机		○
加大多级熔胶马达		○
同步顶出、抽芯、熔胶系统		○
注射采用伺服阀控制		○
开合模采用比例阀控制		○
多组抽芯装置		○
加装液压旋转脱模装置		○
独立油温控制		○
油温检测及高低温报警		○
<b>控制系统</b>		
料管加热强制保护	●	
输入、输出检视画面	●	
自动保温及自动加热设定功能	●	
射胶转保压方式:时间/位置/时间+位置	●	
动作斜率的独立调整	●	
锁模力自动调整功能	●	
工艺参数锁定功能	●	
1000组大容量工艺参数存储空间	●	
10.4" TFT真彩色LCD显示屏	●	
多种操作语言	●	
2组/三相电源插座(16A+32A)	●	
预留吹风、抽芯、顶退回保护等多种接口	●	
前、后机门急停开关保护	●	
两色报警灯	●	
热流道接口		○
气动顺序阀		○
电动旋转脱模接口		○
吹气带阀装置		○
气辅注射装置		○
中央(联网)监控系统		○
前、后机门内光栅保护		○
电脑整机能耗显示		○
更改电源电压		○
<b>其他配置</b>		
说明书	●	
可调防震避震脚	●	
模具压板	●	
工具箱及工具一套,精密过滤器滤芯一件	●	
自动上料机		○
玻璃管冷却流量计		○
干燥机		○
除湿机		○
模具温度控制器		○

※页面所有数据均来自于伊之密工厂,请以实际定制设备情况为准

※The Data above were acquired by testing in the factory, only for your reference. The specific data please accord to the actual equipment.

# UN90-530SKIII Standard & Optional Features

	Standard	Optional
<b>Injection Unit</b>		
One-piece injection unit support with linear guides	●	
Parallel double-cylinder injection system	●	
Low-speed high-torque hydraulic motor	●	
Nitrided alloy-steel screw and barrel	●	
Energy-saving groove design of barrel (patented design)	●	
Multi-stage PID barrel temperature control (4-7 stage)	●	
Double-carriage cylinder	●	
Automatic detection of injection and plasticizing faults	●	
Precision transducer for injection/ plasticizing stroke control	●	
Cold start protection	●	
Automatic purging	●	
Selectable suck-back before or after plasticizing	●	
6-stage injection control (speed, pressure, position)	●	
5-stage holding pressure control (speed, pressure, position)	●	
3-stage storage control (speed, pressure, position)	●	
Sliding hopper (60T-320T)	●	
Extended nozzle		○
Dedicated barrel unit (Electroplated, alloyed, PC, PMMA、PBT, ect.)		○
Barrel air-cooling device		○
Spring shut-off nozzle/hydraulic nozzle		○
Increased injection stroke or one-size larger (smaller) injection unit		○
Swivel injection unit		○
Ceramic heater band (standard on machines over 630T)		○
Barrel heat-retaining energy-saving device (silicone heat preservation, infrared heating)		○
Stainless steel hopper		○
<b>Clamping Unit</b>		
Precision transducer for clamping / ejector stroke control	●	
Clamping platens / toggles made of highly-rigid ductile iron QT500-7A	●	
2-stage ejector forward/backward control	●	
EUROMAP-based robot mounting holes	●	
Hydraulic mold height adjustment device	●	
Hydraulic / electrical safety devices	●	
Wear-resistant manganese steel supporting tracks for movable platen	●	
Automatic centralized lubrication system	●	
Multiple ejector function settings	●	
Low-pressure mold protection	●	
Platen with T-slots and screw holes	●	
Special mold mounting hole		○
Mold thermal insulation plate		○
Increased ejector force & stroke		○
Increased mold thickness		○
Magnetic platen		○
Mold lifting device		○
<b>Hydraulic System</b>		
Fourth-generation servo motor system	●	
High-precision bypass oil filter	●	
Low-noise energy-efficient hydraulic circuit	●	
High-performance hydraulic valve	●	
External cooler	●	

	Standard	Optional
Automatic calibration of pressure and flow	●	
Plasticizing back pressure adjustment device	●	
Cable hose restraint for exposed HP hydraulic hose	●	
Multi-channel cooling water devices with fast connectors	●	
Low-friction seal	●	
Variable displacement pump system		○
Enlarged oil pump and motor (1-satge)		○
Enlarged plasticizing motor (multi-satge)		○
Synchronized ejection, core pulling and plasticizing system		○
Servo valve for injection		○
Proportional valve for mold opening and closing		○
Multiple sets of core puller		○
Additional hydraulic unscrewing device		○
Independent oil temperature control		○
Automatic oil temperature detection and alarm		○
<b>Control System</b>		
Barrel heater protection	●	
Input/output inspection	●	
Automatic heat retaining and automatic heating setting	●	
Time / position / time + position controlled switchover from injection to holding	●	
Separate adjustment of motion slope	●	
Automatic clamping force adjustment	●	
Molding data locking function	●	
Storage space for 1000 sets of process parameters	●	
10.4" TFT true color display	●	
Multiple operating languages	●	
Two sets of 3-phase power socket (16A+32A)	●	
Reserved interfaces for air blowers, cores, and ejector backward protection	●	
Emergency stop buttons for front and rear safety gates	●	
Two-color alarm light	●	
Hot runner interface		○
Pneumatic sequence valve		○
Interface for electric unscrewing interface		○
Air blowing with valve		○
Air-assisted injection device		○
Central (networked) monitoring system		○
Protective light grid of safety gates		○
Display of overall energy consumption		○
Change of power supply voltage		○
<b>Other</b>		
Operation manual	●	
Leveling pad	●	
Mold retaining plate	●	
A tool kit and a precision filter	●	
Auto loader		○
Glass tube flowmeter		○
Dryer		○
Dehumidifier		○
Mold temperature controller		○

※页面所有数据均来源于伊之密工厂, 请以实际定制设备情况为准

※The Data above were acquired by testing in the factory, only for your reference. The specific data please accord to the actual equipment.

# UN630-1000SKIII 标配选配表

	标准配置	备选配置
<b>射胶/熔胶部分</b>		
整体式射台支架配线性导轨	●	
双缸平衡注射系统	●	
低速大扭矩液压马达	●	
氮化合金钢螺杆料筒	●	
料管节能环保结构(专利设计)	●	
料管多段PID温度控制(6-9段)	●	
双射移油缸	●	
射胶、熔胶故障自动检测	●	
精密电子尺控制熔胶行程/射胶行程	●	
螺杆防冷启动功能	●	
自动清料功能	●	
熔胶前、后松退可选	●	
注射速度、压力、位置6段设定	●	
保压速度、压力、时间5段设定	●	
储料速度、压力、位置3段设定	●	
数控比例背压	●	
加长射嘴		○
专用料管组(电镀、合金、PC、PMMA、PBT等)		○
料筒风冷装置		○
弹簧自锁射嘴/液压射嘴		○
加大注射行程或加大(减少)一级射胶结构		○
旋转射台		○
滑动/滚动料斗装置		○
料筒保温节能装置(硅胶保温、红外线加热)		○
不锈钢料斗		○
上料平台		○
<b>锁模部分</b>		
精密电子尺控制锁模/顶针行程	●	
锁模三大板/机铰采用QT500-7A高刚性球墨铸铁	●	
电脑控制两段顶出前进/后退动作	●	
欧规机械手机械定位接口	●	
液压驱动齿轮调模装置	●	
液压/电气双重保护装置	●	
移动模板耐磨锰钢带轨道	●	
自动集中润滑系统	●	
多种顶针控制功能可选	●	
低压模具保护功能	●	
T型槽、码模孔复合模板	●	
加装特殊模具安装孔		○
加装模具隔热板		○
加大顶出行程		○
加大容量		○
磁力模板		○
<b>液压系统</b>		
第三代伺服系统	●	
高精密实时旁路滤油器装置	●	
低噪音节能型液压回路	●	
高性能液压控制阀	●	
外置式冷却器	●	

	标准配置	备选配置
系统压力流量自动校正	●	
熔胶背压调节装置	●	
外露高压油管配防爆链	●	
多组运水装置并配快速插头	●	
低摩擦密封元件	●	
变量泵系统		○
加大一级油泵电机		○
加大多级熔胶马达		○
同步顶出、抽芯、熔胶系统		○
注射采用伺服阀控制		○
开合模采用比例阀控制		○
多组抽芯装置		○
加装液压旋转脱模装置		○
独立油温控制		○
油温检测及高低温报警		○
<b>控制系统</b>		
料管加热强制保护	●	
输入、输出检视画面	●	
自动保温及自动加热设定功能	●	
射胶转保压方式:时间/位置/时间+位置	●	
动作斜率的独立调整	●	
锁模力自动调整功能	●	
工艺参数锁定功能	●	
1000组大容量工艺参数存储空间	●	
10.4" TFT真彩色LCD显示屏	●	
多种操作语言	●	
3组/三相电源插座(2x32A+16A)	●	
预留吹风、抽芯、顶退回保护等多种接口	●	
前、后机门急停开关保护	●	
两色报警灯	●	
热流道接口		○
气动顺序阀		○
电动旋转脱模接口		○
吹气带阀装置		○
气辅注射装置		○
中央(联网)监控系统		○
前、后机门内光栅保护		○
电脑整机能耗显示		○
更改电源电压		○
<b>其他配置</b>		
说明书	●	
可调防震避震脚	●	
模具压板	●	
工具箱及工具一套,精密过滤器滤芯一件	●	
自动上料机		○
玻璃管冷却流量计		○
干燥机		○
除湿机		○
模具温度控制器		○

※页面所有数据均来自于伊之密工厂,请以实际定制设备情况为准

※The Data above were acquired by testing in the factory, only for your reference. The specific data please accord to the actual equipment.

# UN630-1000SKIII Standard & Optional Features

	Standard	Optional
<b>Injection Unit</b>		
One-piece injection unit support with linear guides	●	
Parallel double-cylinder injection system	●	
Low-speed high-torque hydraulic motor	●	
Nitrided alloy-steel screw and barrel	●	
Energy-saving groove design of barrel (patented design)	●	
Multi-stage PID barrel temperature control (6-9 stage)	●	
Double-carriage cylinder	●	
Automatic detection of injection and plasticizing faults	●	
Precision transducer for injection/ plasticizing stroke control	●	
Cold start protection	●	
Automatic purging	●	
Selectable suck-back before or after plasticizing	●	
6-stage injection control (speed, pressure, position)	●	
5-stage holding pressure control (speed, pressure, position)	●	
3-stage storage control (speed, pressure, position)	●	
Digital proportional back pressure	●	
Extended nozzle		○
Dedicated barrel unit (Electroplated, alloyed, PC, PMMA、PBT, ect.)		○
Barrel air-cooling device		○
Spring shut-off nozzle/hydraulic nozzle		○
Increased injection stroke or one-size larger (smaller) injection unit		○
Swivel injection unit		○
Sliding hopper		○
Barrel heat-retaining energy-saving device (silicone heat preservation, infrared heating)		○
Stainless steel hopper		○
Loading platform		○
<b>Clamping Unit</b>		
Precision transducer for clamping / ejector stroke control	●	
Clamping platens / toggles made of highly-rigid ductile iron QT500-7A	●	
2-stage ejector forward/backward control	●	
EUROMAP-based robot mounting holes	●	
Hydraulic mold height adjustment device	●	
Hydraulic / electrical safety devices	●	
Wear-resistant manganese steel supporting tracks for movable platen	●	
Automatic centralized lubrication system	●	
Multiple ejector function settings	●	
Low-pressure mold protection	●	
Platen with T-slots and screw holes	●	
Special mold mounting hole		○
Mold thermal insulation plate		○
Increased ejector stroke		○
Increased mold thickness		○
Magnetic platen		○
<b>Hydraulic System</b>		
Third-generation servo motor system	●	
High-precision bypass oil filter	●	
Low-noise energy-efficient hydraulic circuit	●	
High-performance hydraulic valve	●	
External cooler	●	

	Standard	Optional
Automatic calibration of pressure and flow	●	
Plasticizing back pressure adjustment device	●	
Cable hose restraint for exposed HP hydraulic hose	●	
Multi-channel cooling water devices with fast connectors	●	
Low-friction seal	●	
Variable displacement pump system		○
Enlarged oil pump and motor (1-satge)		○
Enlarged plasticizing motor (multi-satge)		○
Synchronized ejection, core pulling and plasticizing system		○
Servo valve for injection		○
Proportional valve for mold opening and closing		○
Multiple sets of core puller		○
Additional hydraulic unscrewing device		○
Independent oil temperature control		○
Automatic oil temperature detection and alarm		○
<b>Control System</b>		
Barrel heater protection	●	
Input/output inspection	●	
Automatic heat retaining and automatic heating setting	●	
Time / position / time + position controlled switchover from injection to holding	●	
Separate adjustment of motion slope	●	
Automatic clamping force adjustment	●	
Molding data locking function	●	
Storage space for 1000 sets of process parameters	●	
10.4" TFT true color display	●	
Multiple operating languages	●	
Three sets of 3-phase power socket (2x32A+16A)	●	
Reserved interfaces for air blowers, cores, and ejector backward protection	●	
Emergency stop buttons for front and rear safety gates	●	
Two-color alarm light	●	
Hot runner interface		○
Pneumatic sequence valve		○
Interface for electric unscrewing interface		○
Air blowing with valve		○
Air-assisted injection device		○
Central (networked) monitoring system		○
Protective light grid of safety gates		○
Display of overall energy consumption		○
Change of power supply voltage		○
<b>Other</b>		
Operation manual	●	
Leveling pad	●	
Mold retaining plate	●	
A tool kit and a precision filter	●	
Auto loader		○
Glass tube flowmeter		○
Dryer		○
Dehumidifier		○
Mold temperature controller		○

※页面所有数据均来源于伊之密工厂, 请以实际定制设备情况为准

※The Data above were acquired by testing in the factory, only for your reference. The specific data please accord to the actual equipment.

YIZUO

THINK  
TECH FORWARD

技术  
更进一步